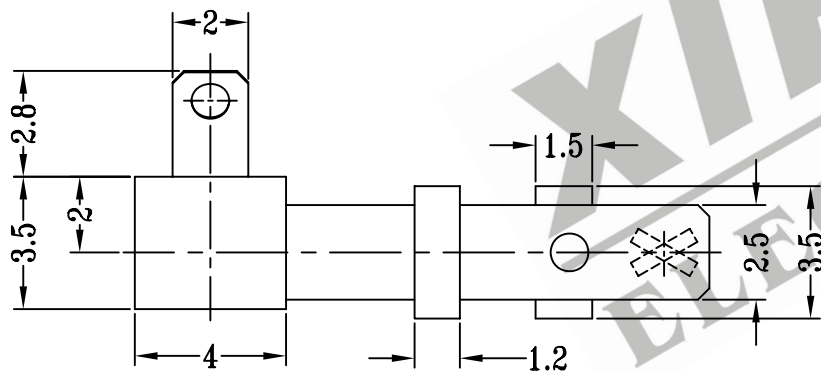
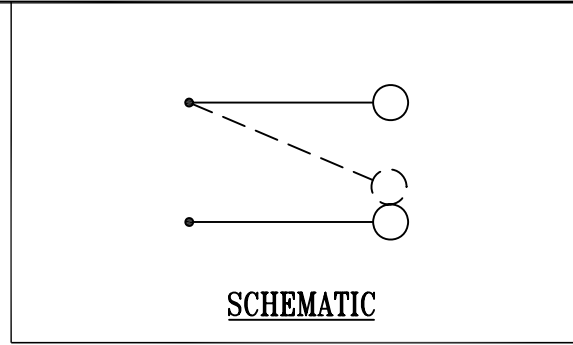
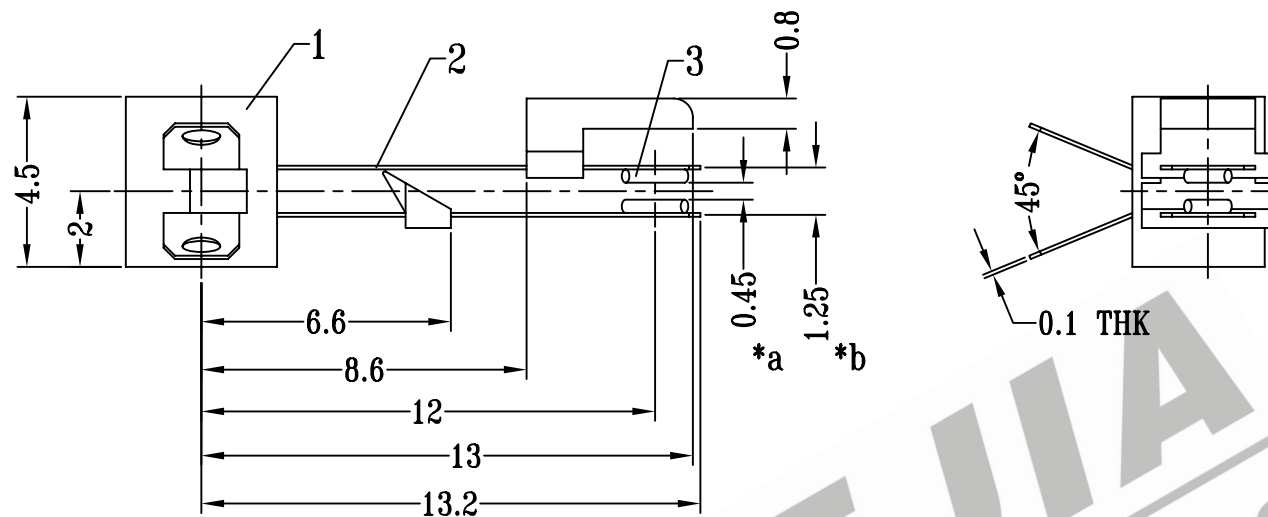


CAD FILE:



XIEJIA ELECTRONICS

注:带"*"表示关键尺寸(2个)

MODEL	SPRING PLATE
LF-040	G=GOLD
	N=NICKEL
	S=SILVER
	X=NIL

8					TOLERANCE UNLESS SPECIFIED	SHENZHEN XIEJIA ELECTRONICS CO.,LTD.					
7					WITHIN : 1.5±0.1mm OVER : 1.5±0.2mm					ISSUE	DATE
6						TITLE : LEAF SWITCH				UNIT : mm	DRWG NO.: XJ-DR-LF040-00
5						MODEL: LF-040				SCALE: 5:1	DWN. ZHOUYU 2004-9-8
4						ALL MATERIALS MUST BE COMPLIANT TO ROHS				CHK'D FANGYING 2004-9-8	
3	CONTACT	SILVER WIRE	2	NATURAL						APPD. KANGXINAN 2004-9-8	
2	SPRING PLATE	PBS STRIP	2	NATURAL							
1	CASE	POM	1	BLACK							
NO.	PARTS	MATERIALS	Q'TY	FINISH							